

B&T BEARING INC.™

BALL TRANSFER UNITS & CARGO HANDLING EQUIPMENT

www.btbearing.com

Light-Duty (Stud-Mount) Ball Transfer Units

Features:

Omni-directional

Ball Material: Carbon Steel

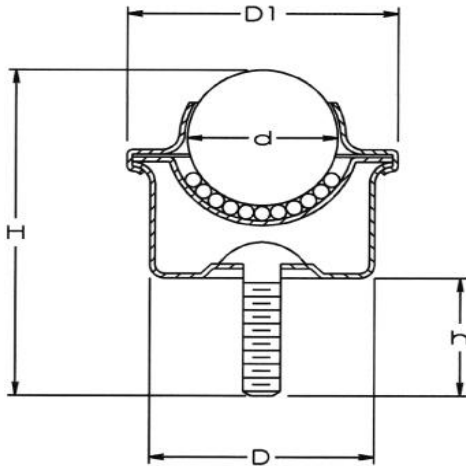
Housing Material: Carbon Steel

Ball Size: 1" Main Ball on 1/8" Support Balls

1/4-20 Threaded

Load Capacity: 50 lbs.

Dimensionally compatible with competitors



Specifications	Dimensions
Ball Diameter (d)	1.00
Width (D)	1.50
Overall Width (D1)	1.81
Base Height (h)	0.87
Overall Height (H)	2.41
Stud	1/4 - 20
Load Capacity	50



Part #BTSMTI50