

B&T BEARING INC.™

BALL TRANSFER UNITS & CARGO HANDLING EQUIPMENT

www.btbearing.com

Light-Duty (Flange-Mount) Ball Transfer Units

Features:

Omni-directional

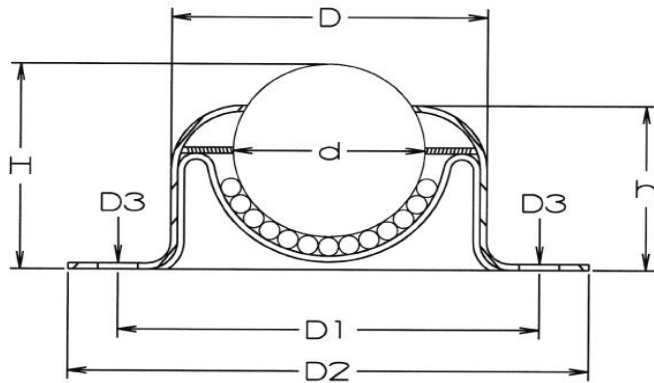
Ball Material: Carbon Steel

Housing Material: Carbon Steel

Ball Size: 1" Main Ball on 1/8" Support Balls

Load Capacity: 75 lbs.

Dimensionally compatible with competitors



Specifications	Dimensions
Ball Diameter (d)	1.00
Width (D)	1.65
Width to Hole (D1)	2.20
Overall Width (D2)	2.76
Width of Hole	0.24
Height (h)	0.95
Overall Height (H)	1.20
Load Capacity	75



Part #BTFM75